

The Padlockable Cam™

Cam Locks with Padlock Flexibility



The Padlockable Cam is a solid metal cam lock with a built in finger pull that allows a keyed or combination padlock to secure the drawer or door.

Optional keyed or combination padlocks available.



Domed
Four
Color
Decal
Logo
Option



Easy to Use!

Durable- all solid metal

Built in finger pull

Available in black, polished chrome, and polished brass finishes

Flexibility of combination or keyed padlocks

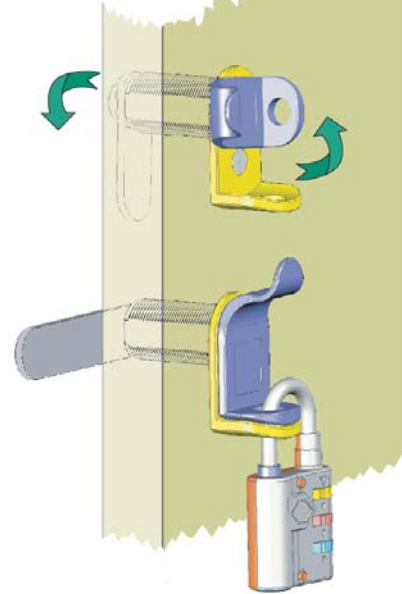
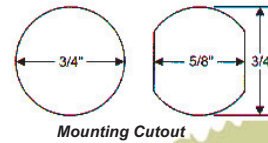
The Padlockable Cam™

Cam Lock with Padlock Flexibility

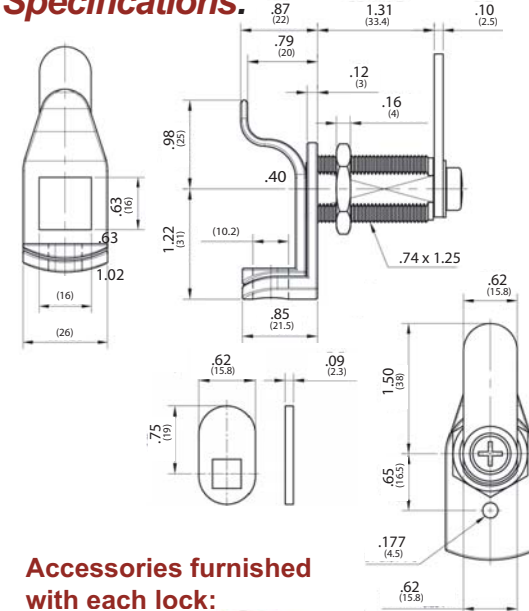


Easy Installation:

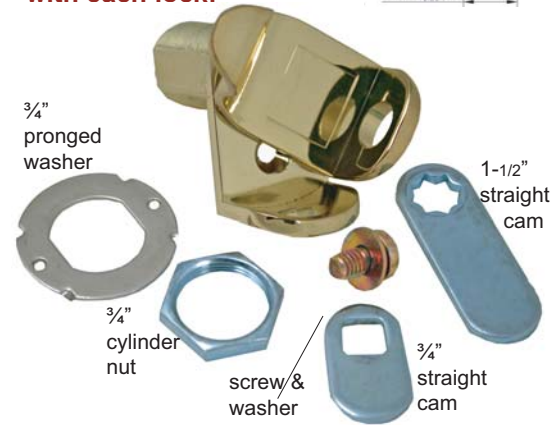
- Replaces standard 3/4" cam lock application
- Works on both doors & drawers
- Fits material thickness up to 7/8"
- Short cam can be placed in 90° increments
- Long cam can be placed in 45° increments
- Cams can be set to rotate clockwise or counterclockwise
- Optional reversible offset cams and a wide variety of other cams available



Specifications:



Accessories furnished with each lock:



Optional Cams:



Other Products Manufactured by FJM Security
HitchSafe **Combi-Ratchet** **Combi** **ShurLok**
KeyGuard Pro **SOBO** **Combi-Cam**

800-654-1786



www.padlockable-cam-locks.com

Innovative, Quality Security Solutions

www.fjmsecurity.com

© 2009 FJM Security Products

APPLICATIONS

Clubhouse Lockers
Doors / Drawers



Gym Lockers
School Lockers



Wherever
Flexibility
of a
Padlock
is
Desired

